



# SN-D2L-F

## Mini Bi-spectrum Radiometric Detector



### Key Features

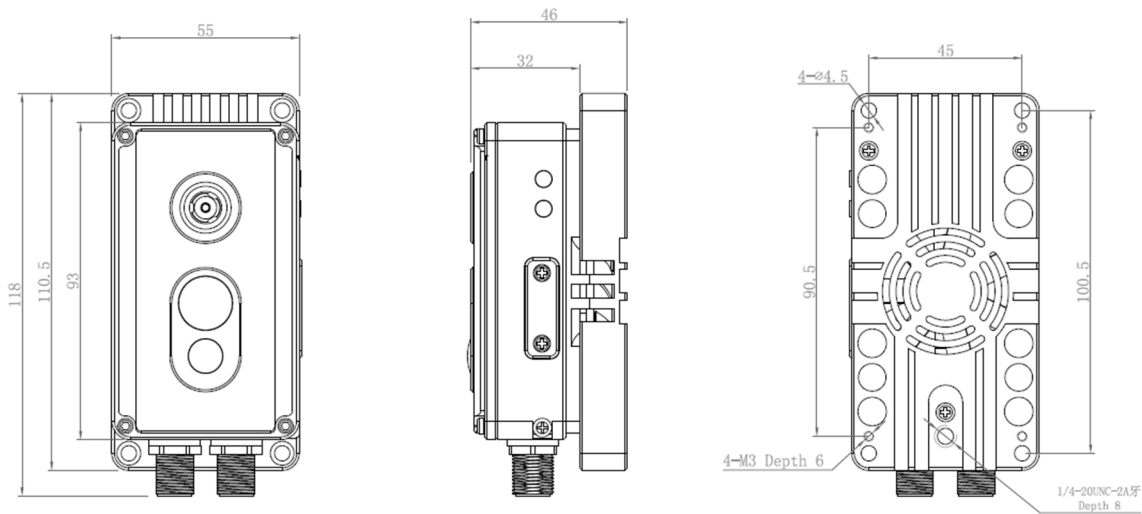
- Uncooled VOx Micro bolometer with 256×192 resolution
- Sensitivity  $\leq 60\text{mK}$
- Support 3 temperature measurement rule types (Spot, Line, Area)
- Temperature range:  $-20^{\circ}\text{C} \sim 150^{\circ}\text{C}$  ( $-4^{\circ}\text{F} \sim 302^{\circ}\text{F}$ )
- Temperature accuracy:  $\pm 2^{\circ}\text{C}$ ,  $\pm 2\%$
- Reliable temperature exception alarm function
- Up to 17 pseudo color modes
- 10-30V DC/PoE power supply

# Specification

| Thermal Camera             |  |
|----------------------------|--|
| Detector Type              | Uncooled VOx Micro bolometer 256×192   |
| Resolution                 | 256(H)×192(V), Image can be scaled up to 704×576   |
| Pixel Pitch                | 12μm   |
| Spectral Range             | 8~14um   |
| Thermal Sensitivity (NETD) | ≤ 60mK   |
| Focus Control              | Manual Focus   |
| F No.                      | F1.1   |
| Focal Length               | 2.0 mm   |
| Angle of View              | H: 90°, V:65°  |
| Visible Camera             |  |
| Image Sensor               | 1/2.8" Sony CMOS   |
| Resolution                 | 1600 (H)×1200(V)   |
| Shutter Speed              | 1/5 ~ 1/20,000s  |
| Wide Dynamic Range         | True WDR 120dB   |
| Min. Illumination          | Color: 0.1Lux @(F1.2, AGC ON), BW: 0.01Lux   |
| S/N Ratio                  | More than 55dB   |
| Max Aperture               | F2.0   |
| Angle of View              | H: 100°, V: 75°  |
| Illuminator                |  |
| LEDs                       | 1pcs White light   |
| Illuminator Range          | 0.3m distance: 0.8m×0.8m, 1m distance: 1.8m×1.2m   |
| Video and Audio            |  |
| Main Stream                | Visible: 1600×1200, 1280×720 @25/30fps, Thermal: D1 @25/30fps  |
| Sub Stream                 | Visible: D1, VGA, 640×360, CIF, QCIF, QVGA @25/30fps, Thermal: CIF @25/30fps   |
| Bit Rate Control           | CBR/VBR  |
| Bit Rate                   | Main stream:<br>Visible: 100Kbps~8Mbps, Thermal: 100Kbps~6Mbps,<br>Sub stream:<br>Visible: 100Kbps~6Mbps, Thermal: 10Kbps~1.5Mbps, |
| Region of Interest         | Off / On (8 Zone, Rectangle)   |
| Smart Encode               | Support  |
| Audio Compression          | G.711: 8kbps, RAW_PCM: 16kbps  |
| Image                      |  |
| Image Setting              | Brightness, Sharpness, Contrast, Saturation  |
| Mirror                     | Support  |
| Pseudo-color Setting       | White-hot/Black-hot/Rainbow/Ironbow etc. up to 17 modes (Thermal)  |
| DVE Image Enhance          | Support (Thermal)  |
| Noise Reduction            | 2D/3D DNR  |
| Privacy Masking            | Support  |
| Motion Detection           | Support  |

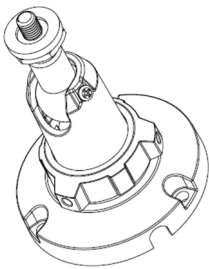
| Temperature Detection                       |   |
|---|---|
| Temperature Detection                       | Support 3 temperature measurement rule types (Spot, Line, Area)   |
| Temperature Alarm                           | Over temperature alarm, Temperature difference alarm  |
| Accuracy                                    | ±2°C / ±2%  |
| Response Time                               | ≤ 30ms  |
| Temperature Range                           | -20°C ~ 150°C (-4°F ~ 302°F)  |
| Temperature Display                         | Display in the lower left corner; follow the cursor display of the highest temperature, lowest temperature or average temperature |
| Temperature Measurement Distance (0.1×0.1m) | 3m  |
| Network                                     |   |
| Protocols                                   | IPv4/IPv6 ,HTTP,RTSP/RTP/RTCP, TCP/UDP, DHCP, DNS, PPPOE, SMTP, 802.1x  |
| Interoperability                            | ONVIF, CGI, SDK   |
| Max. User Access                            | 10 Users  |
| Web Viewer                                  | <IE11, Chrome, Firefox, Microsoft Edge  |
| Web Language                                | English, Chinese, Polish, Italian, Portuguese, Spanish, Russian, French, Czech, Hungarian   |
| Interface                                   |   |
| Network Interface                           | 1 Ethernet (10/100 Base-T) RJ-45 Connector  |
| Alarm Interface                             | 1ch input, 1ch output   |
| RS232                                       | Support   |
| RS485                                       | Support   |
| SD Card Slot                                | Support, up to 256GB  |
| Reset Button                                | Support (Built-in)  |
| Indicator Light                             | Power indicator, Network indicator  |
| General                                     |   |
| Power Supply                                | 10-30VDC/PoE (IEEE 802.3af)   |
| Power Consumption                           | Max 5.4W  |
| Working Temperature                         | -30°C~60°C(-22°F~140°F)   |
| Storage Conditions                          | 0~ 90% RH   |
| Certifications                              | CE/FCC  |
| Ingress Protection                          | IP67  |
| Casing                                      | Metal   |
| Dimensions                                  | 55× 46 × 118mm (2.17 × 1.81 × 4.65 inch)  |
| Net Weight                                  | 0.52 kg (1.15 lb)   |

## Dimensions (mm)



## Accessories

Optional:



Standard